

# BS-2043B D Student Biological Microscope



**BS-2043B M**



**BS-2043B B**



**BS-2043B T**

# BS-2043BD Series Model



**BS-2043BD**  
Standard Outfit With Clip Stage

**BS-2043BD M**  
Upgrade To Mechanical Stage



**BS-2043BD B**



**BS-2043BD T**

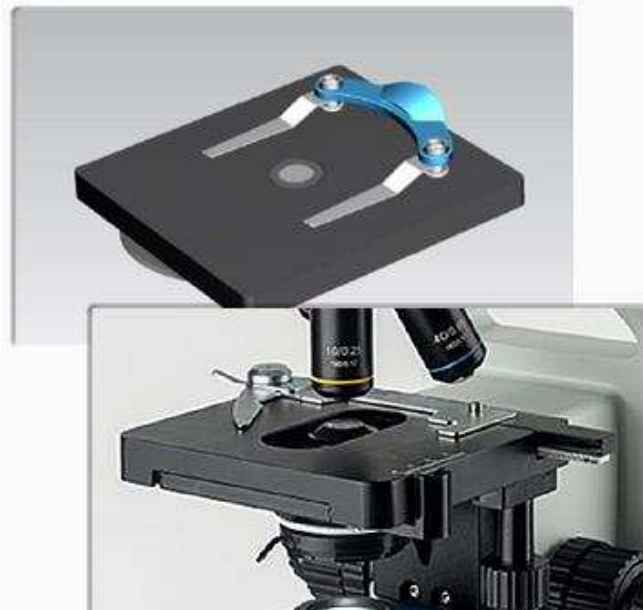
## Product Details



Excellent Optical System Makes Student To View Clear & Sharp Image Easily, Open The Micro Science World



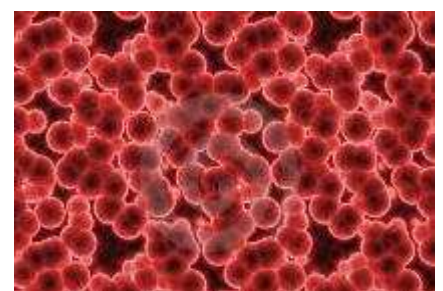
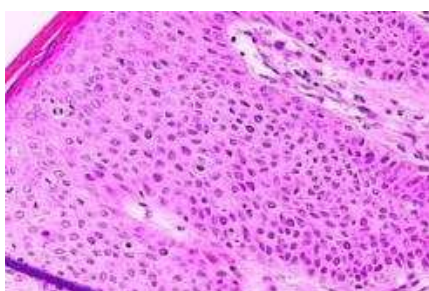
Powered By 5V1A USB Adapter, or USB Power Bank, Low Voltage For Student Kids Safety, With Power Cord Holder.



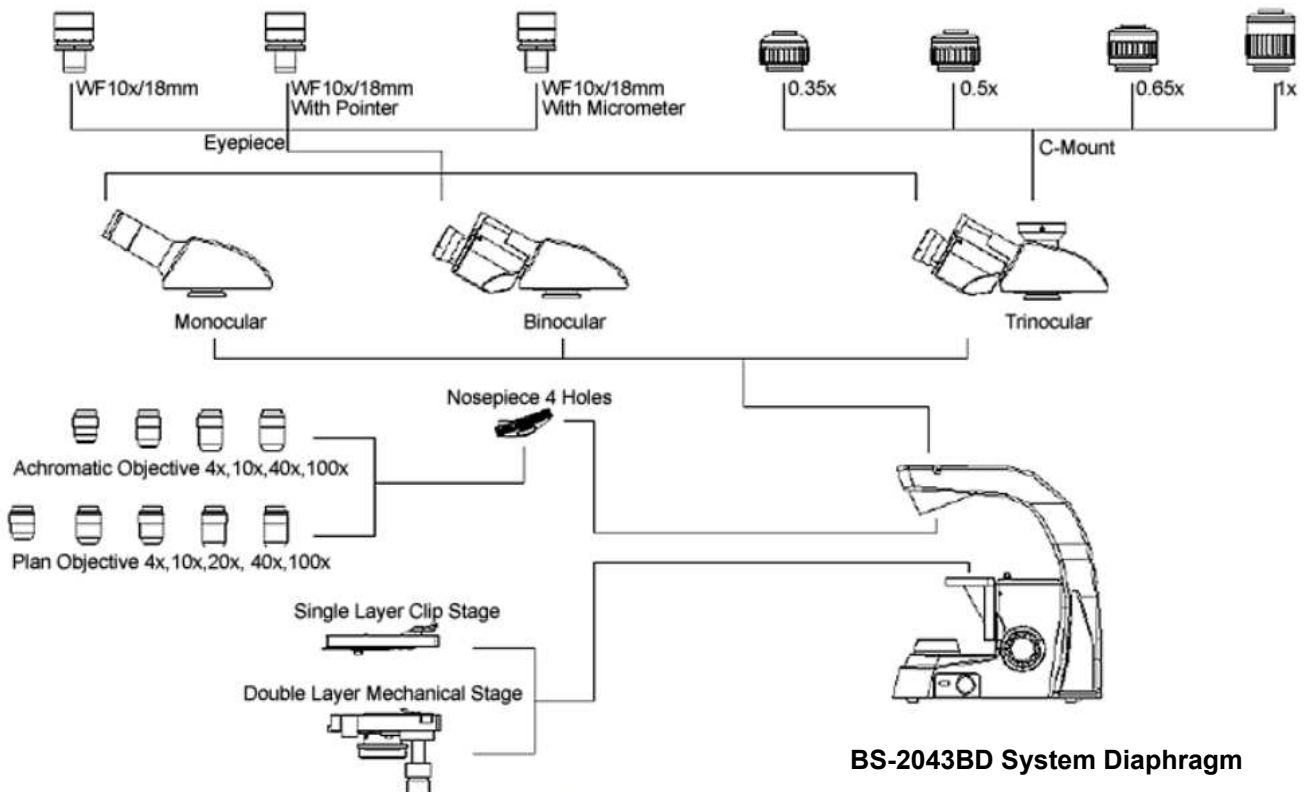
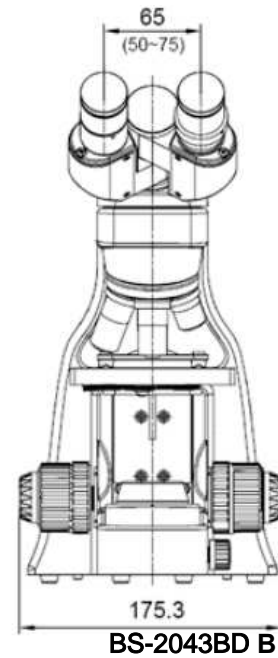
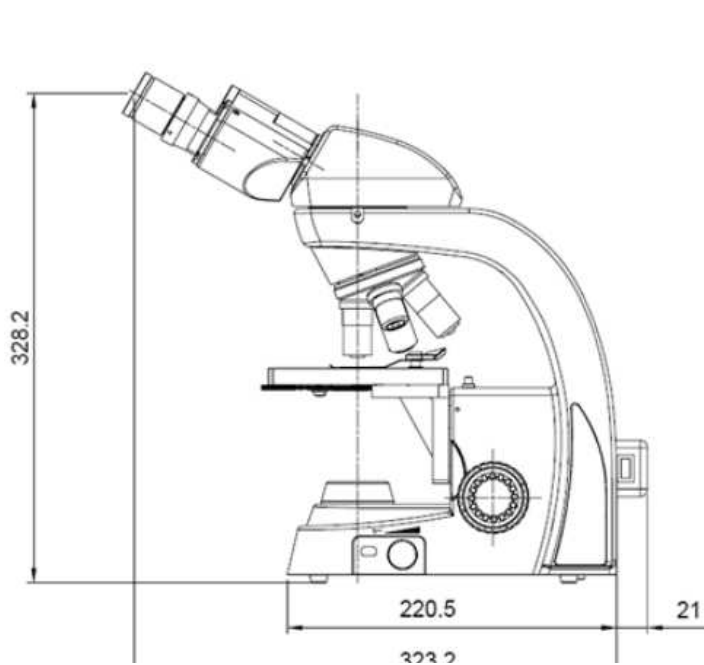
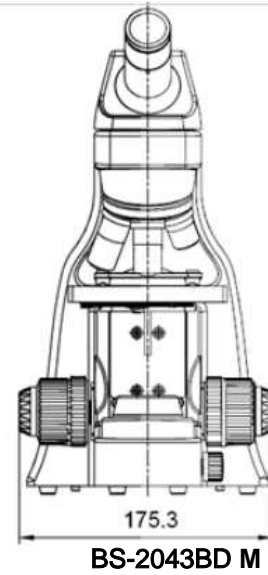
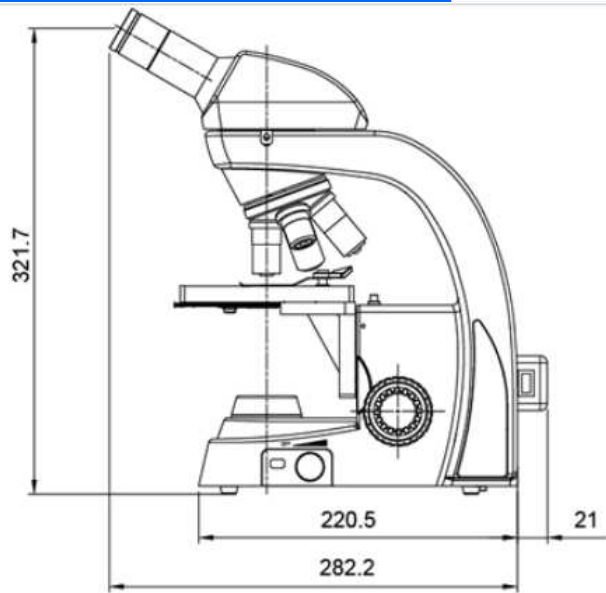
Single Layer Working Stage 110x120mm With Quick Slide Clip, Double Layer Mechanical Stage 115x125mm Optional



LED Light Source Brightness Adjustable, With Built-in Rechargeable Battery Module & LED Indicator



# System Size & Diaphragm



# Product Specification

BS-2043BD Student Biological Microscope		M	B	T	PB	PT
Head	Monocular Head 30° Inclined	●				
	Binocular Head 30° Inclined, 360° Rotatable, Inter-pupillary Distance 50~75mm		●		●	
	Trinocular Head 30° Inclined, 360° Rotatable, Inter-pupillary Distance 50~75mm, Light Splitting Ratio Fixed 50:50			●		●
Eyepiece	WF Plan Eyepiece 10x/18mm With Eye Guard	●	●●	●●	●●	●●
	WF Plan Eyepiece 10x/18mm With Pointer	○	○	○	○	○
	WF Plan Eyepiece 10x/18mm With Micrometer	○	○	○	○	○
Nosepiece	Reversed Quadruple Nosepiece	●	●	●	●	●
Objective	Achromatic Objectives 4x/0.10(Black)	●	●	●		
	Achromatic Objectives 10x/0.25(Black)	●	●	●		
	Achromatic Objectives 40xS/0.65(Black)	●	●	●		
	Achromatic Objectives 100xS/1.25(Oil)(Black)		●	●		
	Plan Achromatic Objectives 4x/0.10				●	●
	Plan Achromatic Objectives 10x/0.25				●	●
	Plan Achromatic Objectives 20x/0.40				○	○
	Plan Achromatic Objectives 40xS/0.65				●	●
Plan Achromatic Objectives 100xS/1.25(Oil)				●	●	
Working Stage	110x120mm Single Layer Stage, With Quick Slide Clips, N.A.0.65 Single Condenser With 5 Holes Disc Diaphragm	●				
	115x125mm Double Layers Mechanical Stage, With N.A.1.25 Abbe Condenser, With Iris Diaphragm & Filter Holder, Moving Range 22mm-71mm		●	●	●	●
Focusing	Coaxial Coarse & Fine Focus, With Coarse Adjustment Stop Screw And Tightness Adjustment, Focusing Range 13mm With Clip Stage, (7mm With Mechanical Stage), Precision 0.002mm	●	●	●	●	●
Light	0.2W LED Center Presetting, Intensity Adjustable	●	●	●	●	●
Power	External Wide Voltage AC Adapter Wide Range 100V~240V, Power By 5V1A DC Input or USB Charge, Without Battery.	●	●	●	●	●
	External Wide Voltage AC Adapter Wide Range 100V~240V, Power By 5V1A DC Input or USB Charge, With Rechargeable Battery Module	○	○	○	○	○
Adapter	C-mount 0.35x Focus Adjustable	○	○	○	○	○
	C-mount 0.5x Focus Adjustable	○	○	○	○	○
	C-mount 0.65x Focus Adjustable	○	○	○	○	○
	C-mount 1.0x Focus Adjustable	○	○	○	○	○
Other	M4 Allen Key Focus Adjustable	●	●	●	●	●
	Package by Foam And Paper Master Carton	●	●	●	●	●